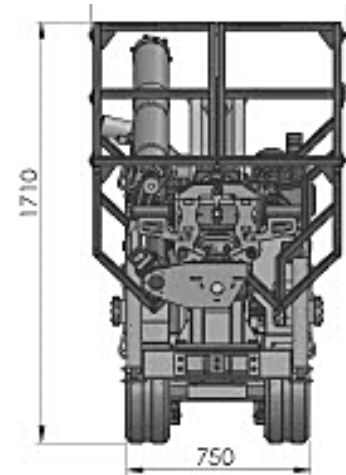
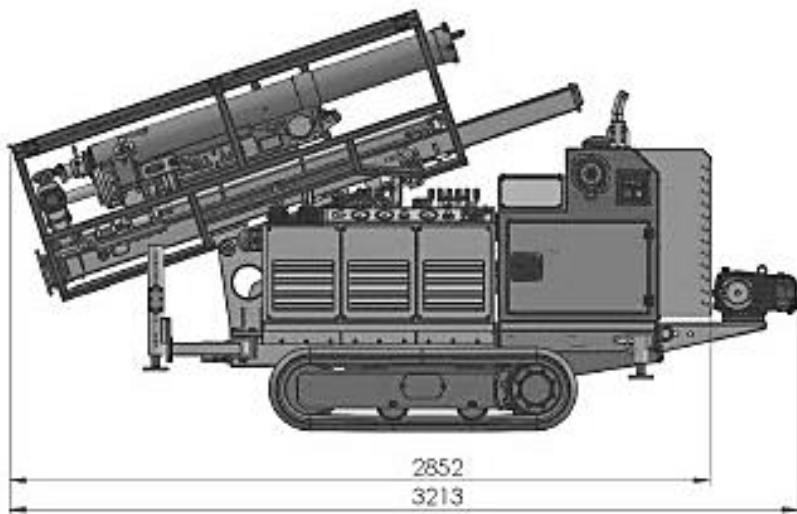


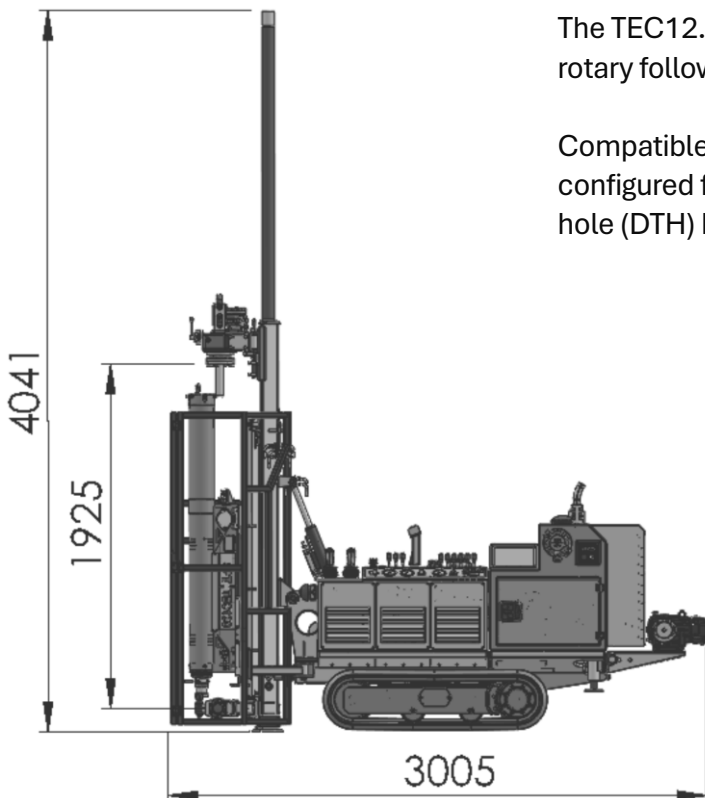
# Tecop TEC12.2



The **Tecop TEC12.2** is a versatile and compact drilling rig designed for geotechnical investigations and sampling. Its narrow footprint allows it to pass through a **standard doorway**, making it well suited to sites with restricted access or internal drilling locations.

The TEC12.2 is well-suited for dynamic/window sampling and rotary follow-on; capable of coring down to depths **below 15m**.

Compatible with both water and air flush systems, it can be configured for use with various drag bits for open-holing, down-the-hole (DTH) hammers, or concrete coring.



## Dimensions

Width	760 mm
Width (with cage)	1044 mm
Height (min. tracking)	1710 mm
Height (max. rotary)	4041 mm
Height (max. dynamic)	3275 mm
Length	3213 mm
Weight	1450 kg
Drop weight	63.5 kg

 07395437147

 [info@geo-investigations.co.uk](mailto:info@geo-investigations.co.uk)

**GEO**investigations